

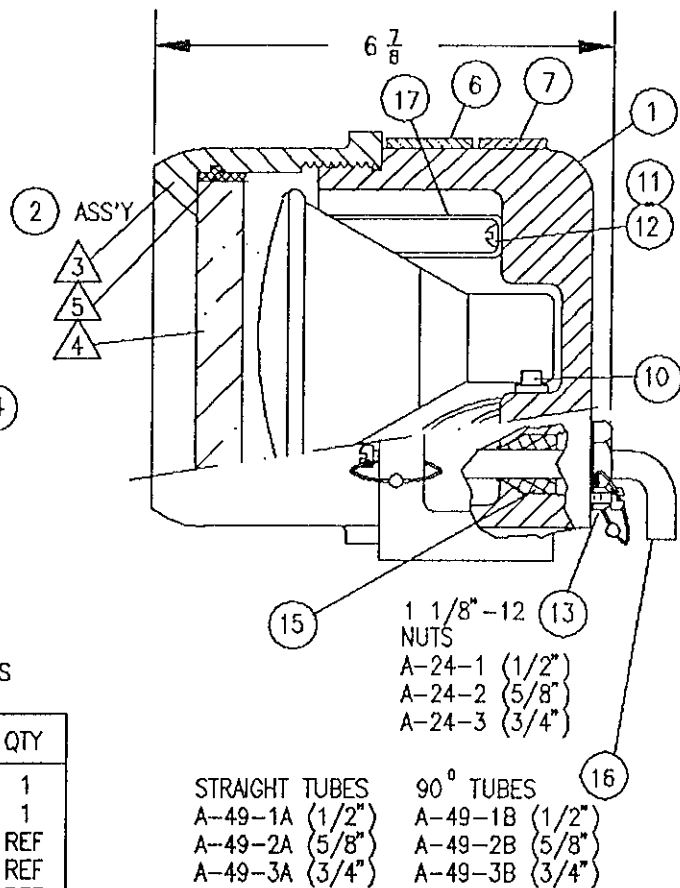
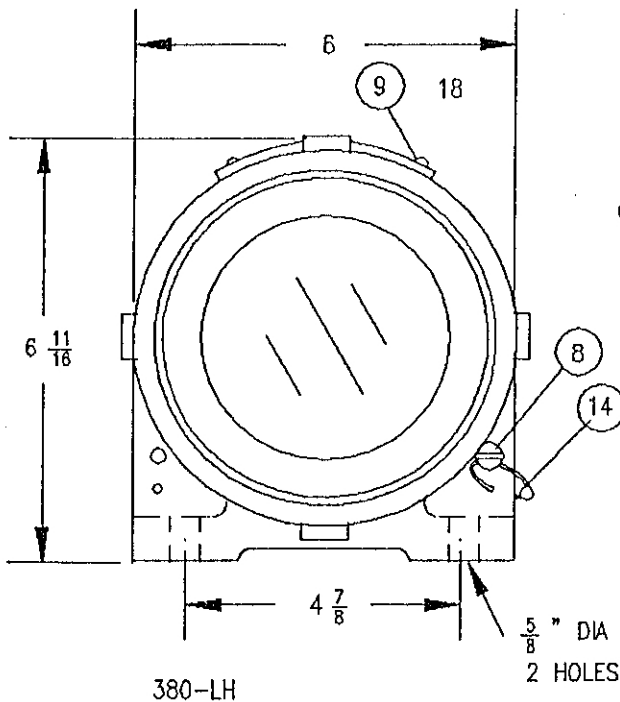
PERMISSIBLE HEADLIGHT

380

DESCRIPTION

CERTIFICATION NUMBER X/P-1774-2

THE MODEL 380 IS A HEADLIGHT DESIGNED FOR MINING MACHINERY. THE ENCLOSURE HAS BEEN TESTED AND APPROVED UNDER M.S.H.A. SCHEDULE "2-G" 30 CFR PART 18. THIS SINGLE GLAND HEADLIGHT IS AVAILABLE IN ALUMINUM (P/N 380-AL), BRASS (P/N 380-BR), OR DUCTILE IRON (P/N 380-ST).



ITEM	DESCRIPTION	PART NUMBER	QTY
1	HOUSING	C-40-AL	1
2	COVER ASSEMBLY	B-41-AL	1
3	COVER	A-16-AL	REF
4	LENS	A-18	REF
5	EPOXY	500	REF
6	I.D. TAG	A-38-5	1
7	PA TAG	A-41-1	1
8	FIL HD SCREW	1000-14	2
9	DRIVE SCREW	1000-13	4
10	RECEPTACLE	EP7-197	1
11	LOCK WASHER	H107300	6
12	SCREW	H131745	6
13	GLAND NUT 1/2"	A-24-1	1
14	WIRE SEAL	A-27	2
15	PACKING	A-29	1
16	STRAIGHT TUBE	A-49-1A	1
17	SPRING CLIP	A-50	3

LAMP SPECIFICATIONS:

100 PAR 38/FL 100 WATT, 12 VOLT
 100 PAR 38/SP 100 WATT, 12 VOLT
 75 PAR 38/3SP 75 WATT, 115 VOLT
 150 PAR 3/VWLF 150 WATT, 120/130 VOLT
 MERCURY
 PAR 38-H75/100 PFL 75/100 WATT, 120 VOLT
 HIGH PRESSURE
 SODIUM PAR 38 70 WATT, 115/125 VOLT
 IMPACT RESISTANCE LAMP SUPPORT