

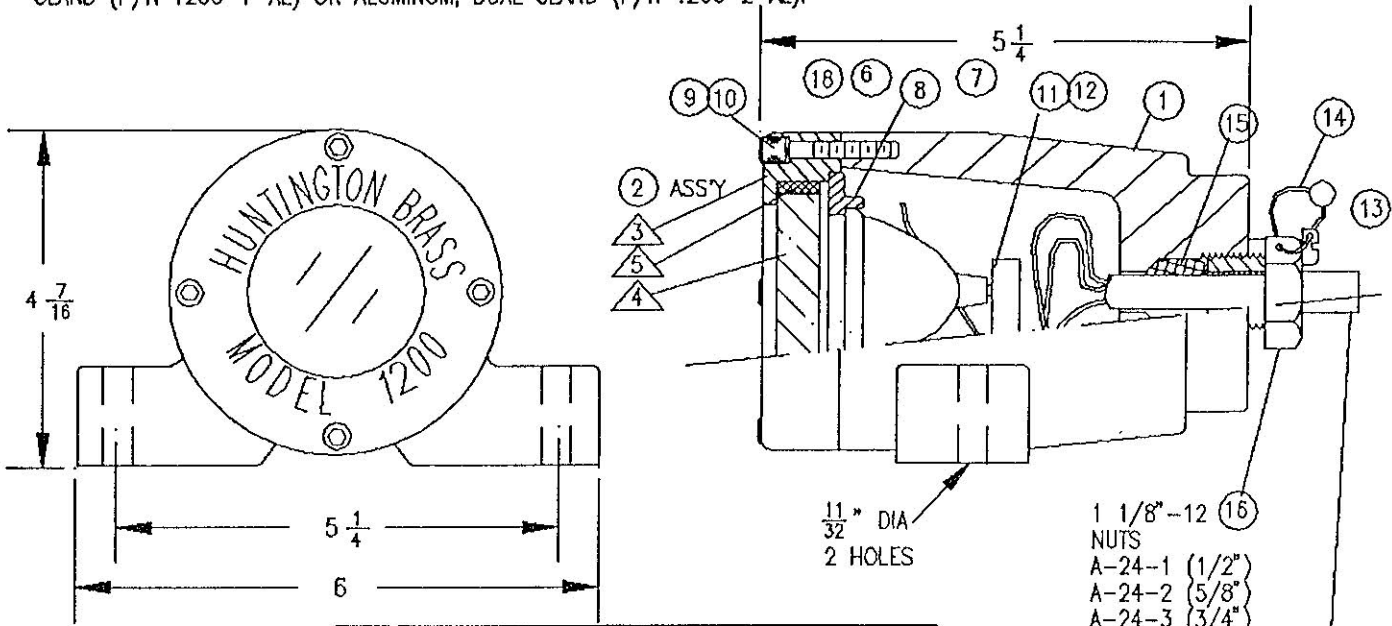
# PERMISSIBLE HEADLIGHT

# 1200

## DESCRIPTION

CERTIFICATION NUMBER X/P-3579-0

THE MODEL 1200 IS A PERMISSIBLE HEADLIGHT DESIGNED TO FIT MINING MACHINERY. THE ENCLOSURE HAS BEEN TESTED AND APPROVED UNDER M.S.H.A. SCHEDULE "2-G" 30 CFR PART 18. THIS HEADLIGHT IS AVAILABLE IN ALUMINUM, SINGLE GLAND (P/N 1200-1-AL) OR ALUMINUM, DUAL GLAND (P/N 1200-2-AL).



ITEM	DESCRIPTION	1200-1-AL		1200-2-AL	
		PART NUMBER	QTY	PART NUMBER	QTY
1	HOUSING	C-1212-1-AL	1	C-1212-2-AL	1
2	COVER ASSEMBLY	B-1213-AL	1	B-1213-AL	1
3	COVER	1213-1-AL	REF	1213-1-AL	REF
4	LENS	1213-2	REF	1213-2	REF
5	EPOXY	605	REF	605	REF
6	I.D. TAG	A-38-3	1	A-38-3	1
7	PA TAG	A-41-3	1	A-41-3	1
8	RETAINER	A-1216	1	A-1216	1
9	SCREW	H104015	4	H104015	4
10	LOCKWASHER	H121065	4	H121065	4
11	SOCKET & FRAME	A-1217	1	A-1217	1
12	SCREW	H130055	4	H130055	4
13	SCREW	1000-14	1	1000-14	2
14	WIRE SEAL	A-27	1	A-27	2
15	PACKING	A-29	1	A-29	2
16	GLAND NUT 1/2"	A-24-1	1	A-24-1	2
17	STRAIGHT TUBE	A-49-1A	1	A-49-1A	2
18	DRIVE SCREW	1000-13	4	1000-13	4
19	SCREW	H130570	1	H130570	1

1 1/8" - 12  
NUTS  
A-24-1 (1/2")  
A-24-2 (5/8")  
A-24-3 (3/4")

90 TUBES  
A-49-1B (1/2")  
A-49-2B (5/8")  
A-49-3B (3/4")  
  
STRAIGHT TUBES  
A-49-1A (1/2")  
A-49-2A (5/8")  
A-49-3A (3/4")

1200-LH

LAMP SPECIFICATIONS: HALOGEN		
DESCRIPTION	WATTS	VOLTS
50MR 16/Q/FL	50	12
50MC 16/Q/NFL	50	12
50MR 16/Q/NSP	50	12